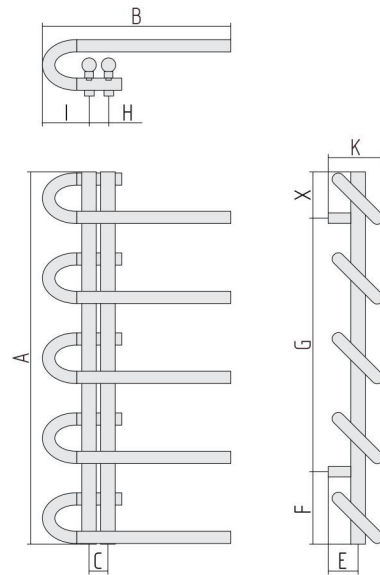
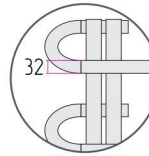


Art.	Heating capacity 55/45/20°C (W)	Heating capacity 75/65/20°C (W)	Total weight, inc. components and packaging (kg)
VI9950**	131	246	10



Water

Piping connection points:



Art.	A	B	C	E	F	G	X	H	I	K
VI9950**	987	500	50	79-124	193	674	120	50	125	149-194

Colour range



\*\*P  
Polished Stainless Steel